
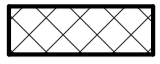





- WALL LEGEND**
-  SUPERIOR WALL FOUNDATION WALL, SIZE AS SHOWN
 -  CONC. FOUNDATION WALL, SIZE AS SHOWN
 -  PARTITION WALL - 2"x4" WOOD STUDS @ 16" O.C. W/ 1/2" GYP BD, EA SIDE U.O.N. 2"x6" WOOD STUDS 16" O.C. AT EXTERIOR.
 -  BEARING WALL - 2"x4" WOOD STUDS @ 16" O.C. W/ 1/2" GYP BD, EA SIDE U.O.N.
 -  EXTERIOR WALL - 2"x6" WOOD STUDS 16" O.C. ALL EXTERIOR WALLS ARE REQUIRED TO HAVE INSULATED SHEATHING U.O.N.

WALL LEGEND

TOP OF FOUNDATION:

- MASON TO SET TOP OF FOUNDATION TO CREATE FLUSH ALIGNMENT OF NEW AND EXISTING FINISHES. NOTIFY ARCHITECT REGARDING ANY DISCREPANCIES.

STEPPED FOOTING:

- BOTTOM OF NEW FOOTINGS TO MATCH THE ELEVATION OF EXISTING ADJACENT FOOTINGS. NEW FOOTING TO BE STEPPED AT A RATE NOT TO EXCEED 2:1.

EXISTING FOOTING BEARING:

- SOIL UNDER EXISTING FOOTINGS TO REMAIN UNDISTURBED. IF A CONDITION ARISES WHICH WILL REQUIRE SOIL DISTURBANCE, ARCHITECT TO BE NOTIFIED IMMEDIATELY PRIOR TO PROCEEDING.

DRAINAGE:

- PLUMBING CONTRACTOR TO PROVIDE PERFORATED DRAIN SURROUNDING ENTIRE ADDITION AND CONNECT ALL DRAINS TO EXISTING DRAINAGE SYSTEM. DETERMINE INSTALLATION REQUIREMENTS IN FIELD.

CEILING FINISH:

- 1/2" GYP. BD. TO BE INSTALLED THROUGHOUT ALL AREAS WITH ENGINEERED FLOOR FRAMING.
- (2) #4 X 24" STEEL REBAR AT FTG AND 32" O.C. VERTICAL ON FOUNDATION WALL. EMBED 12" ON EACH SIDE. DRILL AND SET IN EXISTING FOUNDATION WITH EPOXY CEMENT. FILL ALL CMU CORES SOLID. TYPICAL AT ALL SIMILAR LOCATIONS. ADJUST EMBED LENGTH PER CONDITION, 4" MIN. TYPICAL.

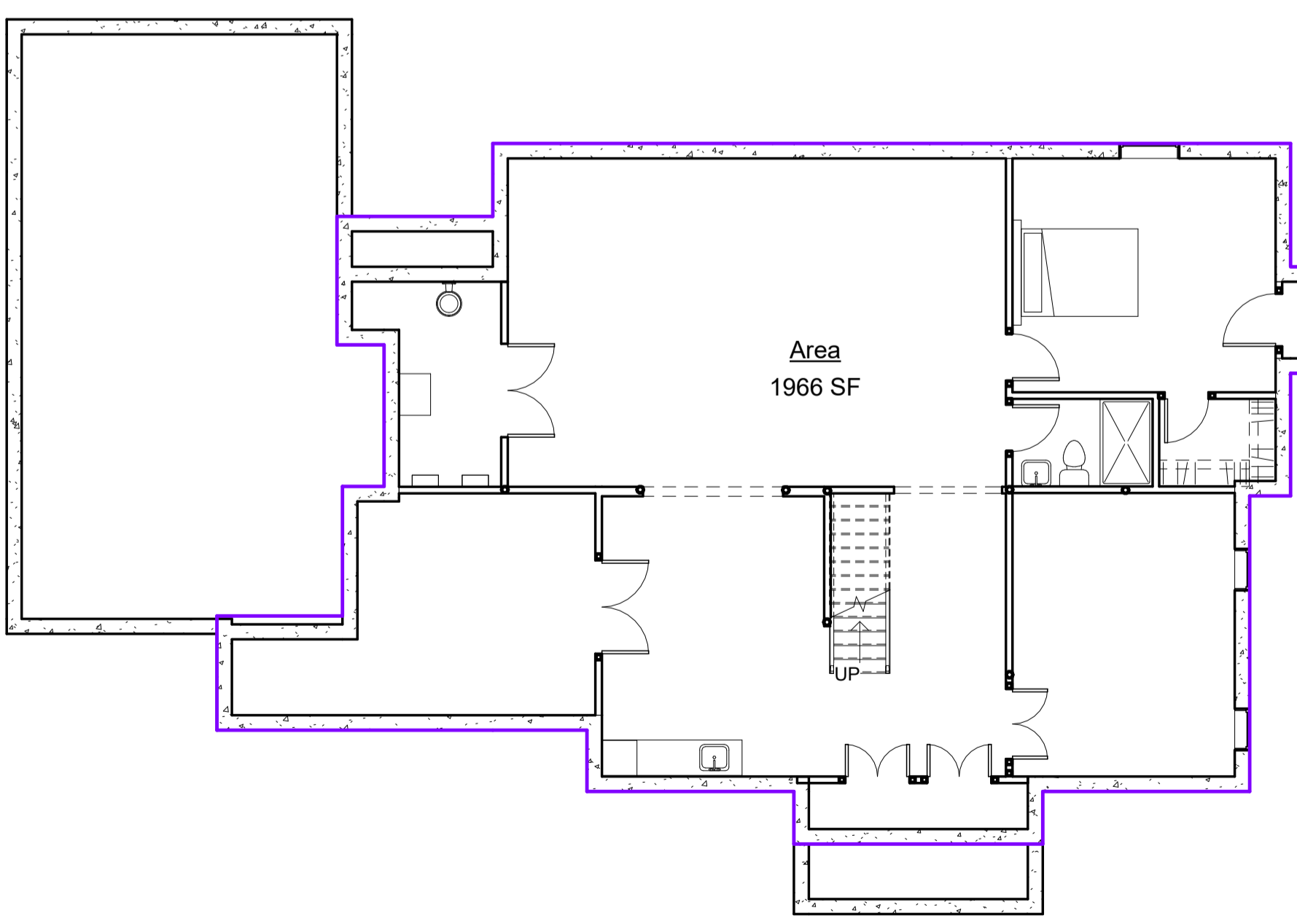
FOUNDATION:

- THE FOUNDATION DESIGN FOR THIS PROJECT IS BASED UPON A MINIMUM SOIL BEARING CAPACITY OF 3,000 PSF (POUNDS PER SQUARE FOOT) IF THE CONTRACTOR IS IN DOUBT ABOUT THE SUITABILITY OF THE SOIL CONDITION ON THE JOB SITE, OR IF HE FINDS THAT THERE IS A SUBSTANDARD CONDITION ANYWHERE IN THE AREA OF THE NEW CONSTRUCTION, HE IS DIRECTED TO CONTACT THE ARCHITECT PRIOR TO CONTINUING WITH ANY FOUNDATION WORK SO THAT THE SOIL CAN BE EVALUATED AND PROPER ENGINEERING IMPLEMENTED TO INSURE THE STRUCTURAL SOUNDNESS OF THE FOUNDATION.
- THE ARCHITECT IS NOT RESPONSIBLE FOR TESTING THE SOIL IN THE CONSTRUCTION AREA. THE CONTRACTOR MUST HAVE A FOUNDATION INSPECTION PERFORMED BY THE LOCAL BUILDING OFFICIAL AND RECEIVE AN APPROVAL IN ORDER TO PROCEED WITH THE WORK. THE CONTRACTOR MUST ALSO RELY ON HIS OWN JUDGEMENT TO INSURE THAT THE SOIL CONDITION IS SUITABLE FOR CONSTRUCTION.
- ALL FOOTINGS SHALL BE PLACED ON UNDISTURBED SOIL AT THE MINIMUM DEPTH INDICATED ON THE DRAWINGS, OR DEEPER IF NECESSARY, TO REACH UNDISTURBED SOIL. FOOTINGS SHALL BE BOARDED FORMED TO THE MINIMUM DIMENSIONS AS INDICATED ON THE DRAWINGS AND SHALL HAVE TWO CONTINUOUS #4 BARS PLACED 3" UP FROM THE BOTTOM OF THE FOOTING WITH #3 TIES AT 48" O.C.
- THE FIRST BLOCK COURSE SHALL BE FILLED SOLID WITH CEMENT GROUT AND THE TOP OF THE FOUNDATION WALL SHALL BE CAPPED WITH A SOLID 4" CMU TERMITE CAP BLOCK COURSE. ANCHOR BOLTS SHALL BE INSTALLED AT THE TOP OF THE FOUNDATION WALL AT 48" O.C. AND SHALL BE FULLY IMBEDDED IN CEMENT GROUT IN THE BLOCK CELLS. ANCHOR BOLTS SHALL BE 1/2" DIA. HIGH STRENGTH STEEL BOLTS.
- FLOOD RELIEF VENTS SHALL BE INSTALLED IN THE BLOCK WALLS WHERE INDICATED ON THE PLANS IN ACCORDANCE WITH THE MANUFACTURER'S DIRECTIONS, AND IN COMPLIANCE WITH THE IRC AND NEW JERSEY UNIFORM CODES.
- ALL CONSTRUCTION LUMBER IN CONTACT WITH MASONRY, OR CONCRETE, OR CEMENT, SHALL BE PRESSURE TREATED (WOLMANIZED) MATERIAL. GALVANIZED CONNECTING HARDWARE SHALL NOT BE USED IN CONNECTION WITH PRESSURE TREATED WOOD DUE TO THE CHEMICALS IN THE WOOD WHICH CAUSE CORROSION OF GALVANIZED METAL. USE "SIMPSON STRONG-TIE" RECOMMENDED HARDWARE FOR THE APPLICATION.

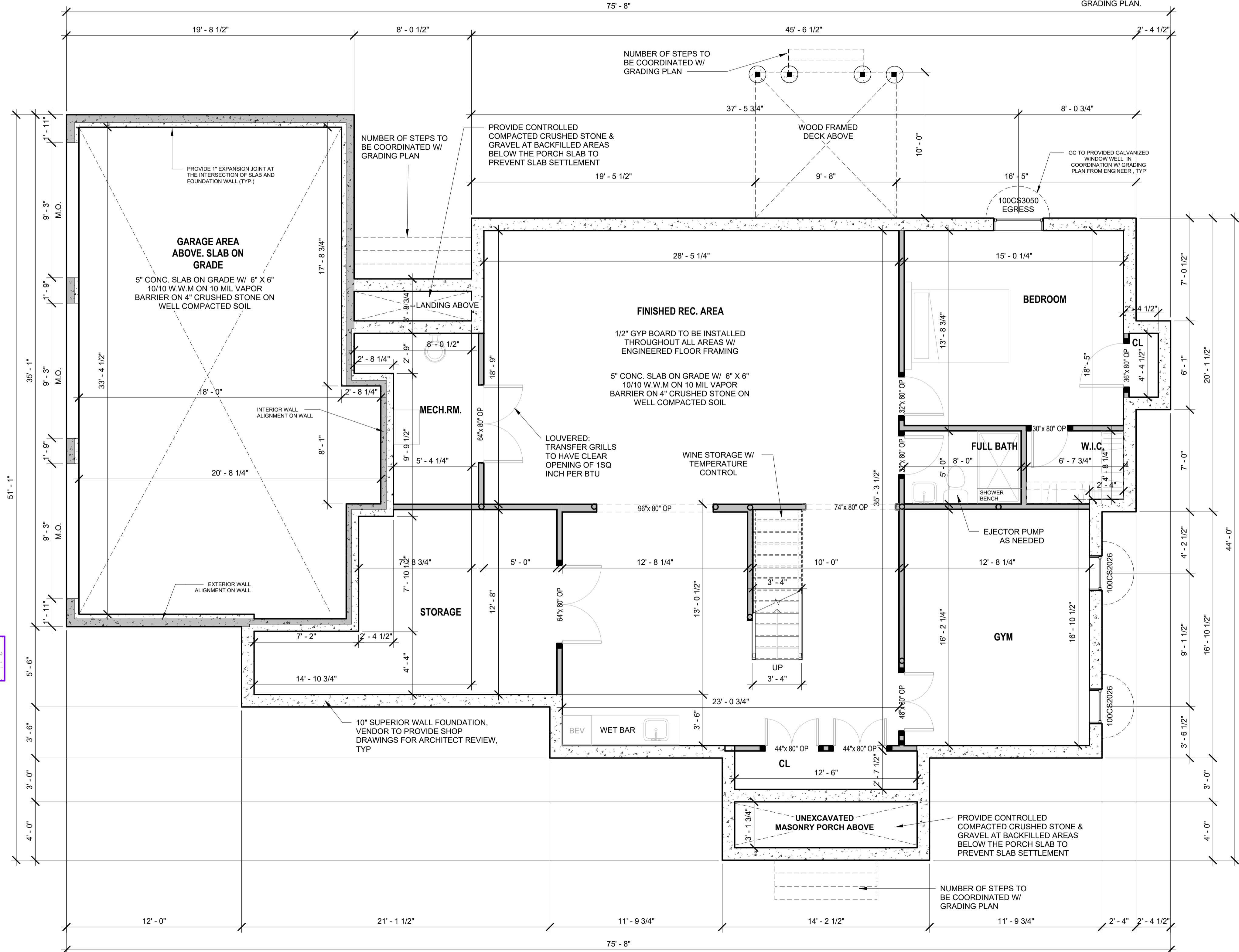
OUTDOOR DECK, LANDING, & STAIR:

- ALL DECK AND STAIR LUMBER TO BE PRESSURE TREATED (WOLMANIZED) MATERIAL. PROVIDE METAL CONNECTING HARDWARE BY "SIMPSON STRONG-TIE" AS RECOMMENDED FOR USE W/ WOLMANIZED LUMBER ONLY. DO NOT USE GALVANIZED HARDWARE.
- THE DECK SURFACE MAY BE PRESSURE TREATED, CEDAR, REDWOOD, IPE, OR "TREX" OR "AZAK" COMPOSITE DECKING MATERIAL AS SELECTED BY OWNER.
- THE LEDGER SHALL BE ATTACHED TO THE MAIN HOUSE STRUCTURE W/ CARRIAGE BOLTS @ 16" OC THROUGH THE REINFORCED BOX FRAME OF THE FLOOR STRUCTURE.
- STAIRS TO HAVE A MAX 8" RISER AND MIN 9 1/2" TREAD, 7.5" RISERS AND 10" TREADS ARE RECOMMENDED BY THE ARCHITECT.
- PROVIDE 1 1/2" DIA "SONOTUBE" FORMED CONCRETE FOOTINGS FOR THE DECK AND LANDING AS SHOWN ON THE PLAN AND CONNECT THE 6" X 6" POSTS TO THE FOOTINGS W/ "SIMPSON STRONG-TIE" ABA66Z STAND OFF POST BASES.

BASEMENT AND FOUNDATION GENERAL NOTES



3 BASEMENT
SCALE: 1/8" = 1'-0"



1 BASEMENT & FOUNDATION PLAN
SCALE: 1/4" = 1'-0"

WINDOW WELL FOR EGRESS:

THE MINIMUM HORIZONTAL AREA OF THE WINDOW WELL SHALL BE 9SF W/ MINIMUM DIMENSION OF 36" WINDOW WELLS W/ VERTICAL DEPTH OF MORE THAN 44" SHALL BE EQUIPPED W/ AN APPROVED PERMANENTLY AFFIXED LADDER OR STEPS. COORDINATE EGRESS WINDOW DEPTH W/ GRADING PLAN.

RELEASE:

EXISTING CONDITIONS	
SCHEMATIC DESIGN	
DESIGN DEVELOPMENT	
PROGRESS PRINT	
<input checked="" type="checkbox"/> FULL RELEASE	11.07.25
ISSUED TO	

REVISIONS:

NO.	DESCRIPTION	DATE

PROJECT: **NEW CONSTRUCTION**

5 Guerin Ln, Randolph, NJ 07869

DRAWING TITLE: **BASEMENT & FOUNDATION PLAN**

SHEET: **A-100**

DO NOT SCALE DRAWINGS. WRITTEN DIMENSIONS SHALL GOVERN. CONTACT ARCHITECT'S OFFICE IF DIMENSION INFORMATION IS MISSING.

RELEASE:		
EXISTING CONDITIONS		
SCHEMATIC DESIGN		
DESIGN DEVELOPMENT		
PROGRESS PRINT		
<input checked="" type="checkbox"/> FULL RELEASE		11.07.25
ISSUED TO:		

REVISIONS:		
NO.	DESCRIPTION	DATE

DRAWN BY: YZ CHECKED BY: GR

PROJECT:
NEW CONSTRUCTION

5 Guerin Ln, Randolph, NJ 07869

PROJECT #

DRAWING TITLE:
SECOND FLOOR PLAN

SHEET:
A-104

GENERAL NOTES:

COLUMN NOTE:
UNLESS OTHERWISE SPECIFIED ALL TRIMMER POSTS:
IN 2"x4" STUD WALLS -
2 PIECE(S) 2 x 4 D.F. #2 COMMODITY LUMBER
IN 2"x6" STUD WALLS -
2 PIECE(S) 2 x 6 D.F. #2 COMMODITY LUMBER

HEADER NOTE:
UNLESS OTHERWISE SPECIFIED, ALL OPENINGS < 3'-6" IN INTERIOR OR EXTERIOR WALLS CAN BE DONE BY NOMINAL LUMBER.

UNLESS OTHERWISE SPECIFIED, ALL HEADERS > 3'-6" TO BE:
1 PIECE(S) 3 1/2" x 9 1/2" 2.0E PARALLAM PSL

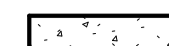




U.O.N. ALL HEADERS ARE TO BE SUPPORTED BETWEEN EACH WINDOW. CONTRACTOR TO VERIFY HEADER WITH ARCHITECT WHEN WINDOWS ARE MULLED.

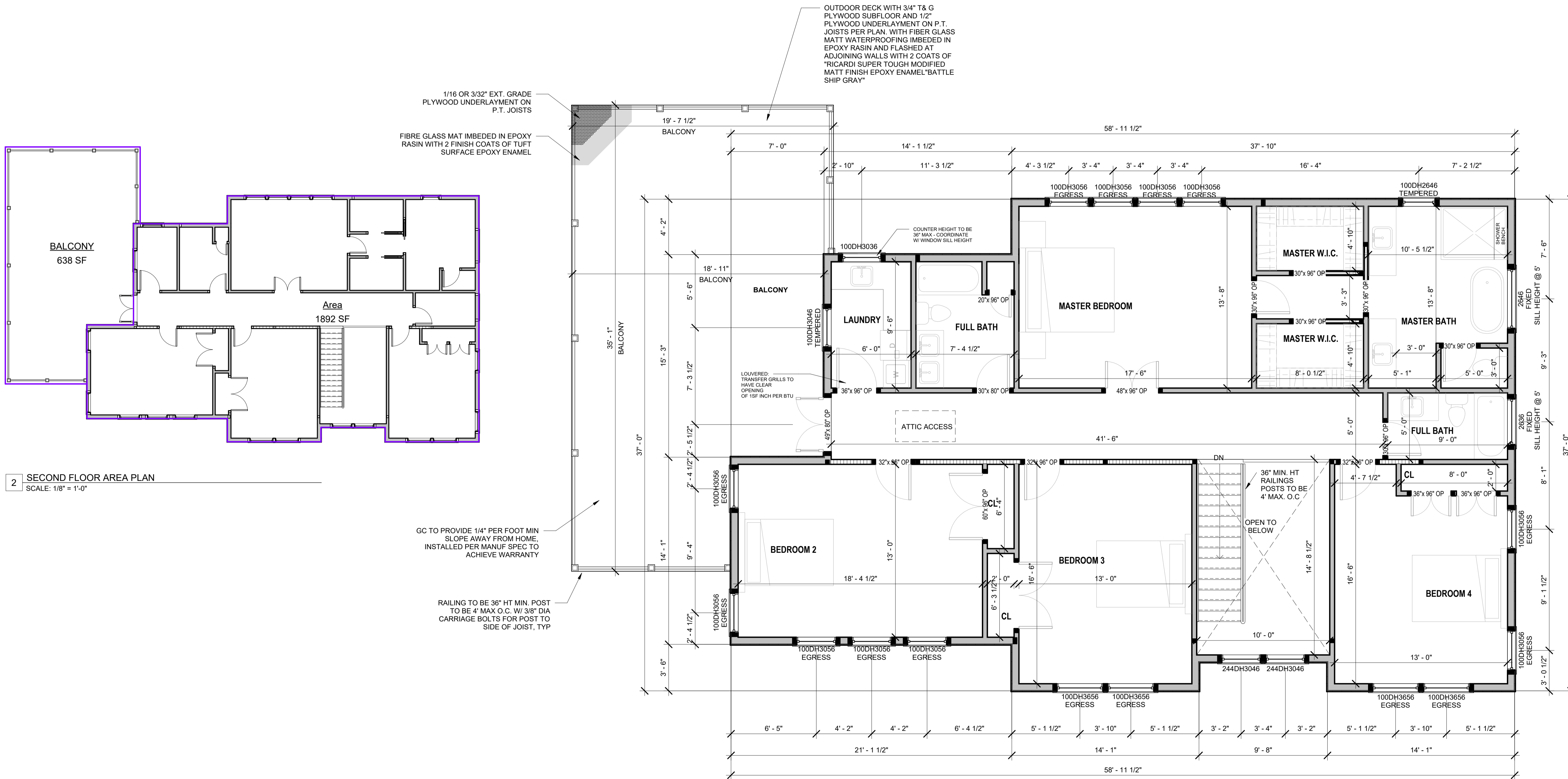
ALL EXTERIOR OPENINGS TO FOLLOW TABLE 602.7.5 FOR FULL HEIGHT STUDS

INSULATION NOTE:
REVIEW RESCHECK CERTIFICATE FOR CONTINUOUS INSULATION REQUIREMENTS

POINT LOAD NOTE:
BASEMENT REQUIRES ALL POINT LOADS TO HAVE BLOCKING AT BEAMS AND WINDOWS
ALL TOP HANGERS TO RECEIVE BLOCKING AT EACH SIDE

BOLT ALL HSS COLUMN PLATES TO FOUNDATION WALL FOR LOADS < THAN 5K. ALL LOADS > THAN 5K TO GET POSTS BELOW FOR SUPPORT, TO BE VERIFIED BY FOUNDATION WALL VENDOR AND/OR ARCHITECT

-  SUPERIOR WALL FOUNDATION WALL, SIZE AS SHOWN
-  CONC. FOUNDATION WALL, SIZE AS SHOWN
-  PARTITION WALL - 2"x4" WOOD STUDS @ 16" O.C. W/ 1/2" GYP BD. EA SIDE U.O.N. 2"x6" WOOD STUDS 16" O.C. AT EXTERIOR.
-  BEARING WALL - 2"x4" WOOD STUDS @ 16" O.C. W/ 1/2" GYP BD. EA SIDE U.O.N.
-  EXTERIOR WALL - 2"x6" WOOD STUDS 16" O.C. ALL EXTERIOR WALLS ARE REQUIRED TO HAVE INSULATED SHEATHING U.O.N.



2 SECOND FLOOR AREA PLAN
SCALE: 1/8" = 1'-0"

1 SECOND FLOOR CONSTRUCTION PLAN
SCALE: 1/4" = 1'-0"

DO NOT SCALE DRAWINGS. WRITTEN DIMENSIONS SHALL GOVERN. CONTACT ARCHITECT'S OFFICE IF DIMENSION INFORMATION IS MISSING.

RELEASE:	
<input type="checkbox"/>	EXISTING CONDITIONS
<input type="checkbox"/>	SCHEMATIC DESIGN
<input type="checkbox"/>	DESIGN DEVELOPMENT
<input type="checkbox"/>	PROGRESS PRINT
<input checked="" type="checkbox"/>	FULL RELEASE 11.07.25
<input type="checkbox"/>	ISSUED TO

REVISIONS:		
NO.	DESCRIPTION	DATE

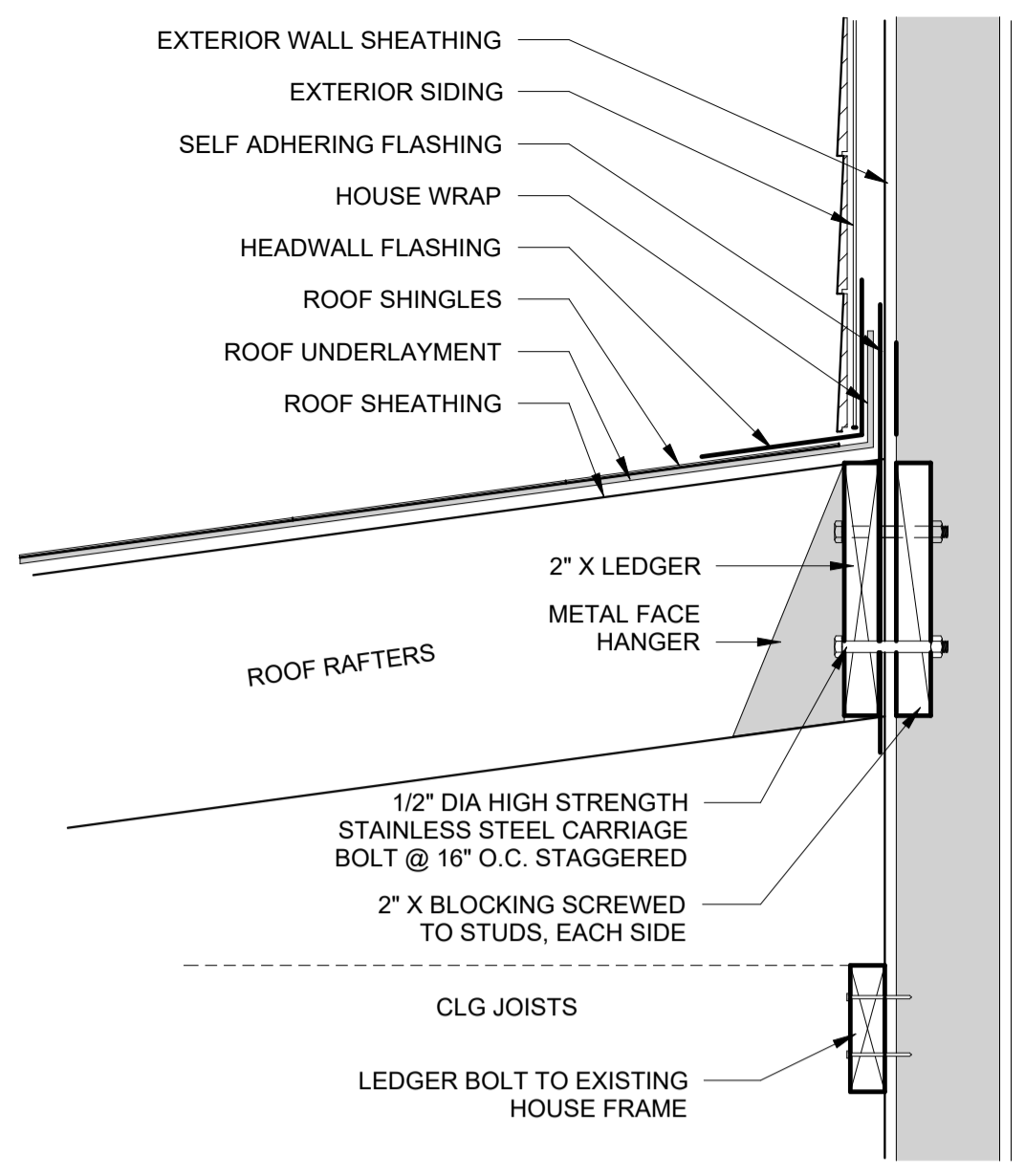
DRAWN BY: YZ CHECKED BY: GR

PROJECT:
NEW CONSTRUCTION

5 Guerin Ln, Randolph, NJ 07869

DRAWING TITLE:
ROOF PLAN, SECTIONS & DETAILS

SHEET:
A-106

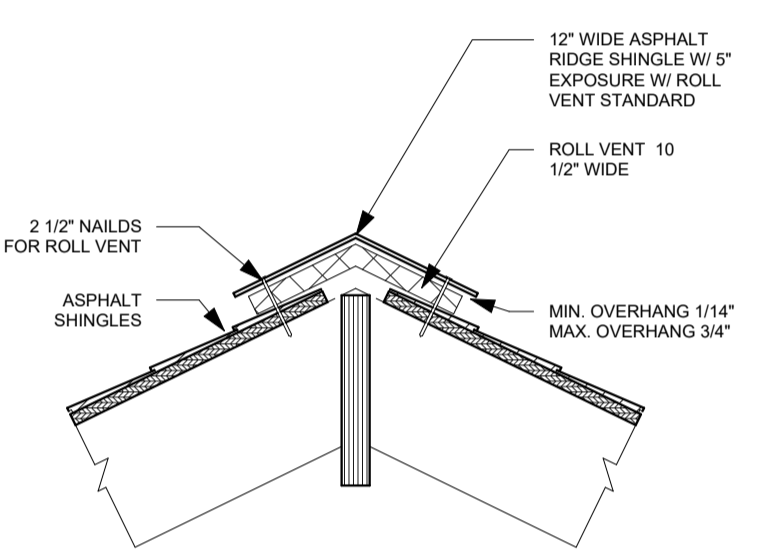


CARRIAGE BOLTS MAY BE SUBSTITUTED W/ LEDGERLOK BRAND FASTENERS @ 8' O.C. STAGGERS U.O.N.

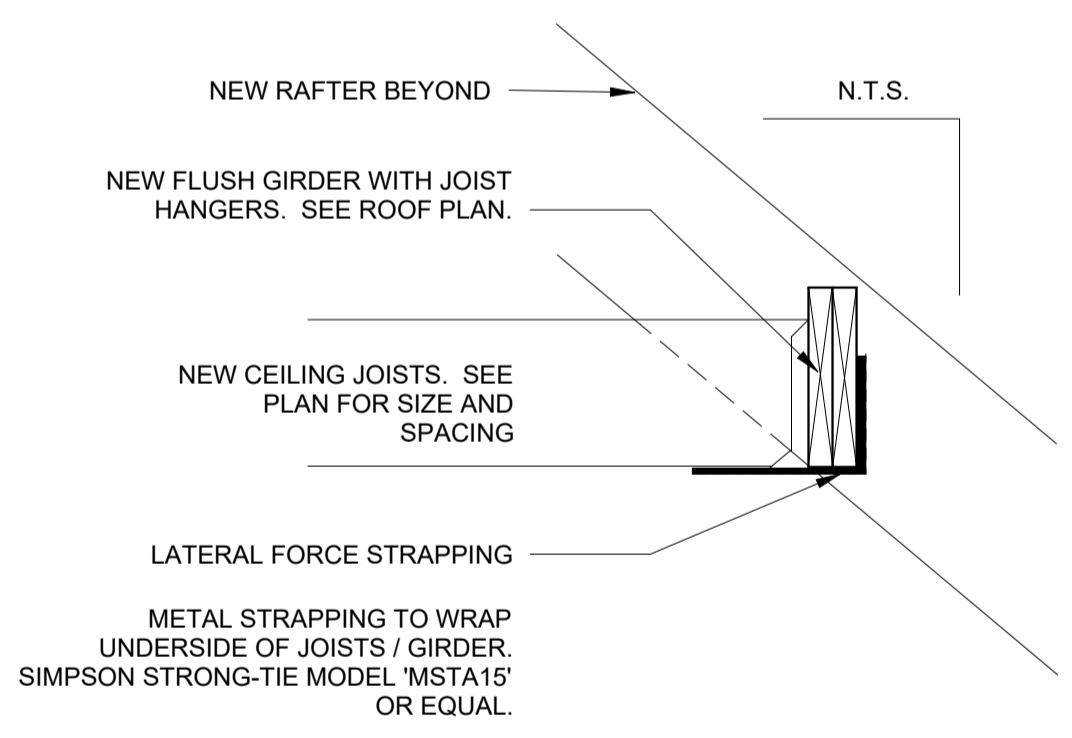
NOTE:
NEW SELF SEALING ASPHALT ROOF SHINGLES, TYPICAL FOR ALL NEW ROOF WORK.
ROOF TO HAVE ICE SHIELD FOR FIRST 4' OF ROOF
ROOF RAFTERS TO BE PACKED DOWN AT ALL AREAS THAT ARE NOT FULLY BEARING ON THE RIDGE

PROVIDED RIDGE STRAP SHALL BE ATTACHED TO EACH PAIR OF OPPOSING RAFTERS REFER TO IRC 802.4.6 COLLAR TIES

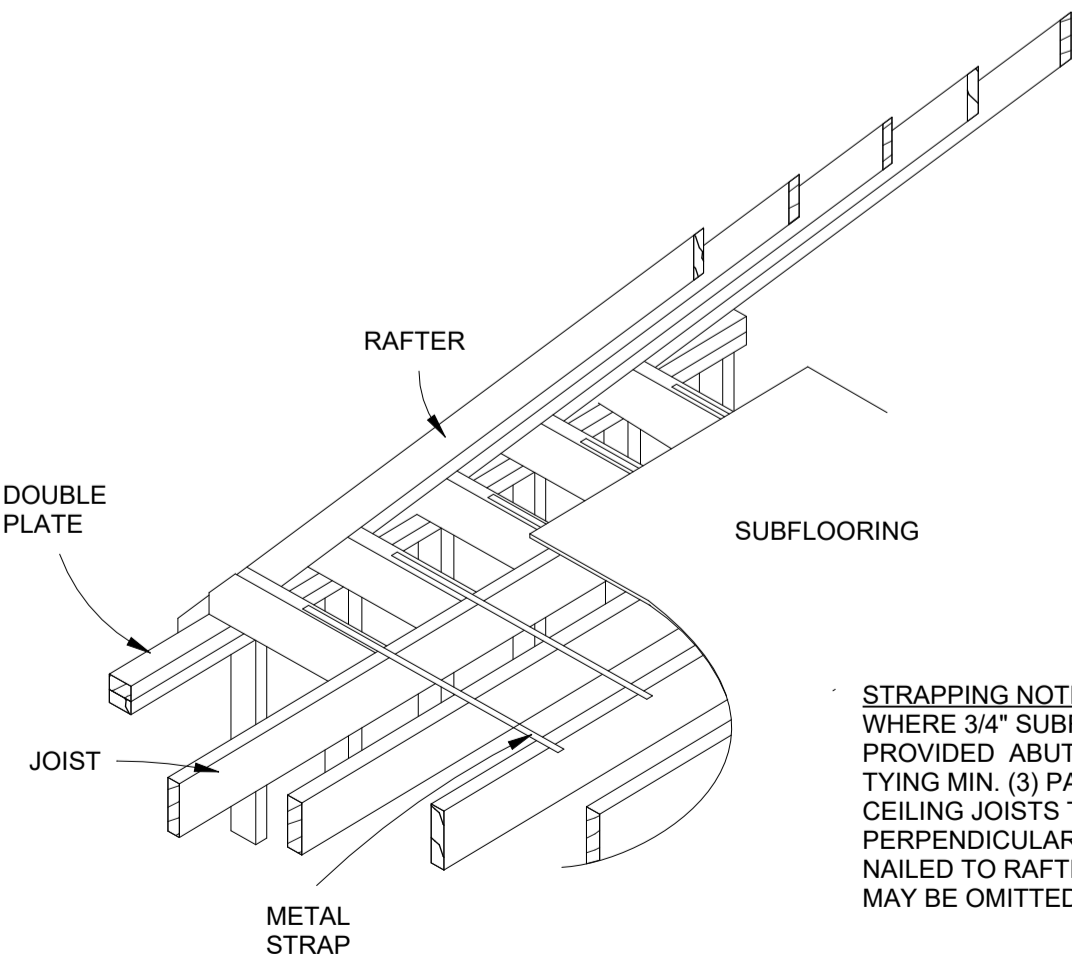
5 LEDGER DETAIL
SCALE: 1 1/2" = 1'-0"



4 RIDGE VENT DETAIL



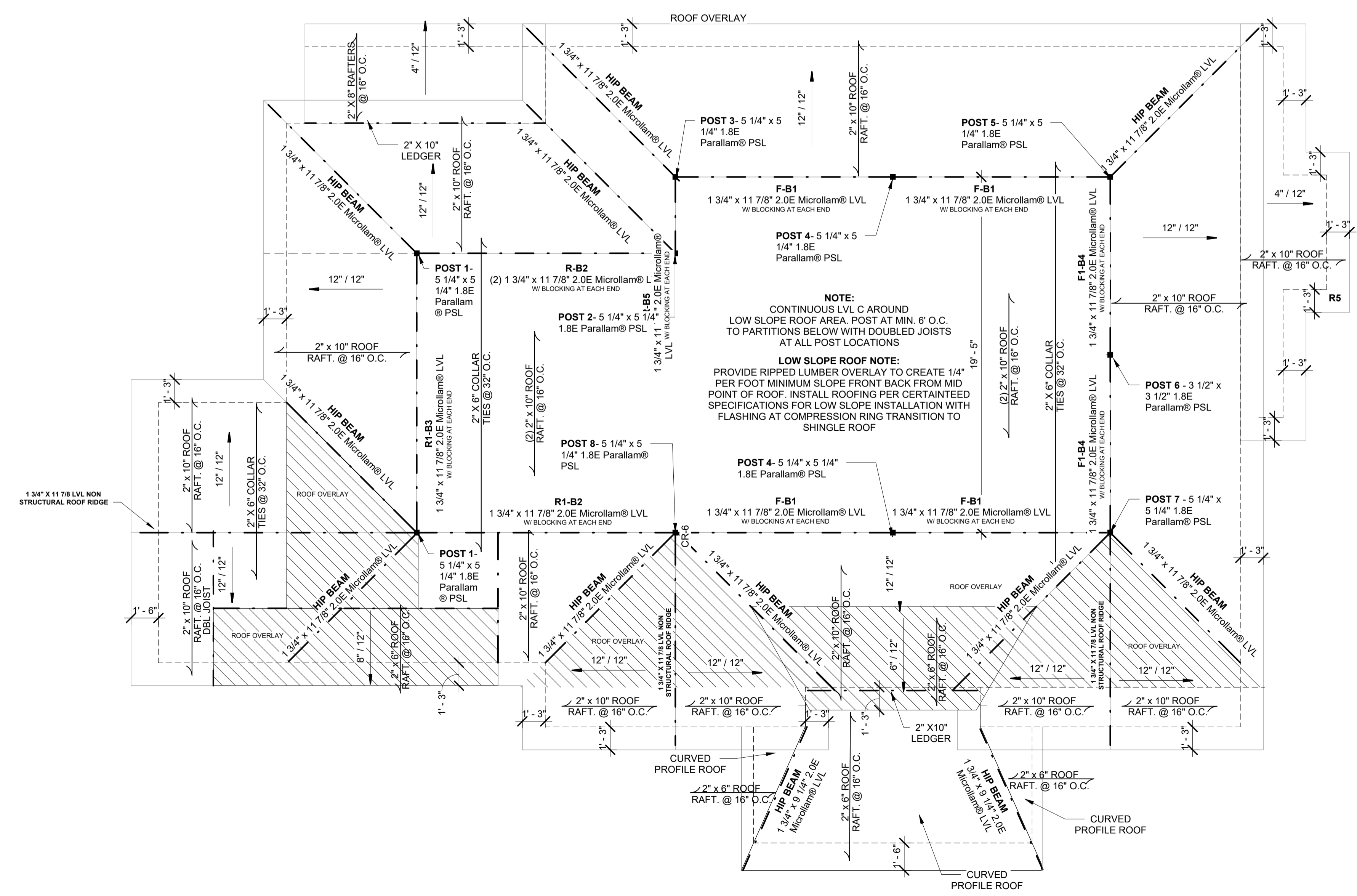
3 STRAPPING AT ROOF RAFTERS



STRAPPING NOTE:
WHERE 3/4" SUBFLOOR PROVIDED ABUTTING RAFTER, TYING MIN. (3) PARALLEL CEILING JOISTS TO PERPENDICULAR JOISTS NAILED TO RAFTER, STRAP MAY BE OMITTED.

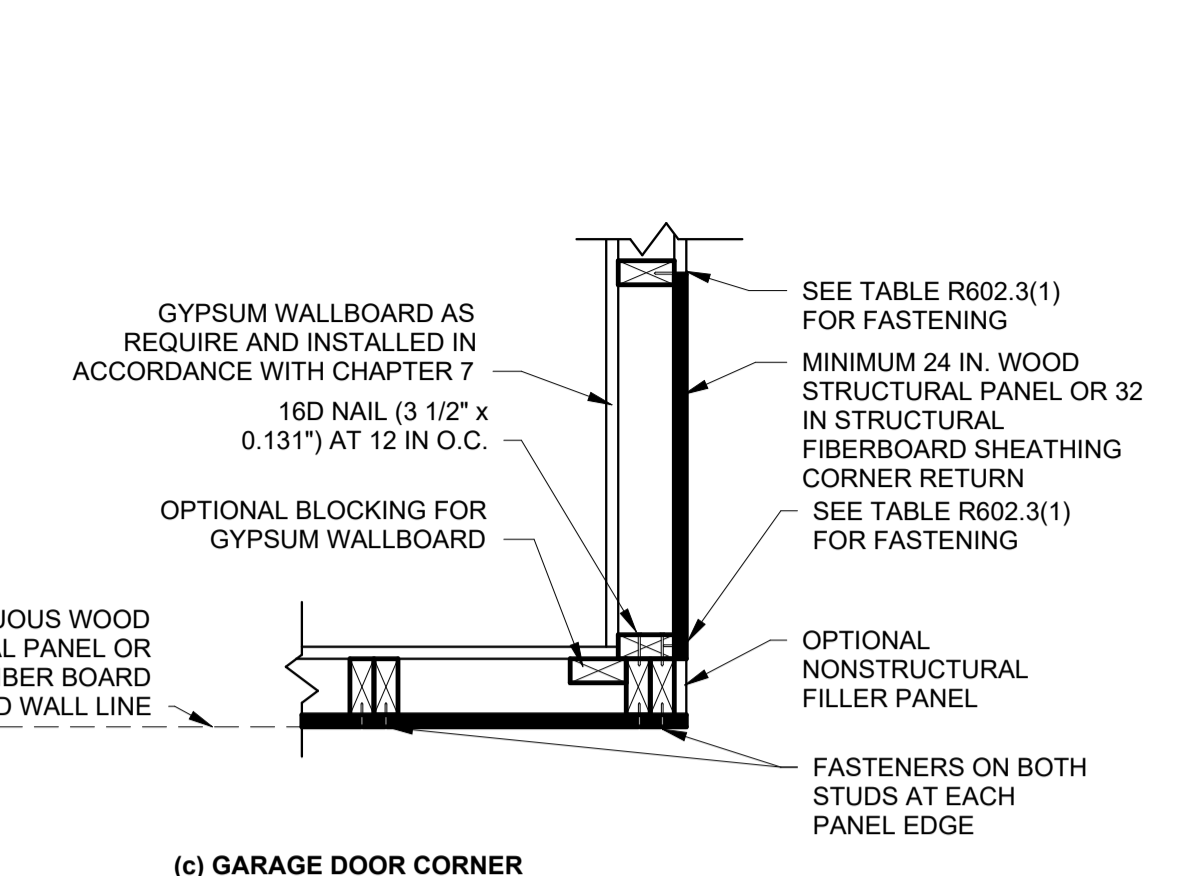
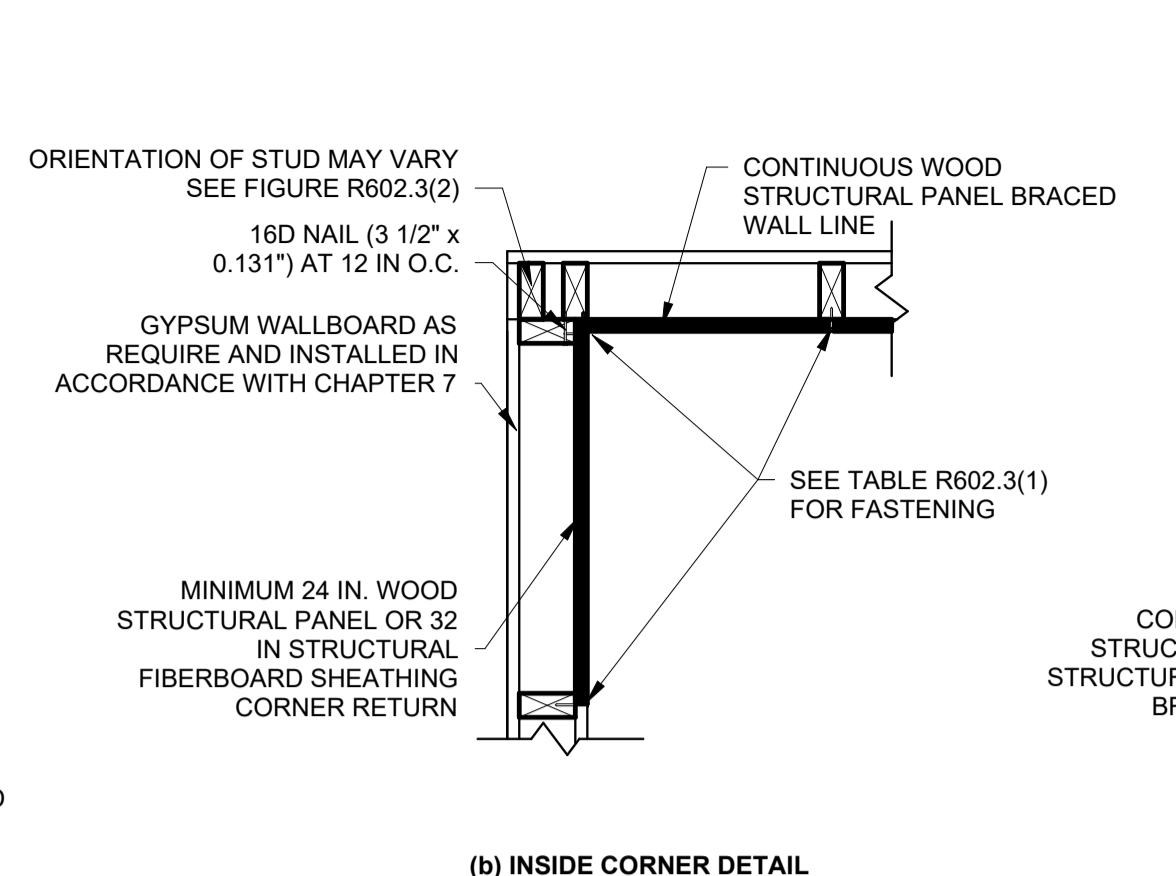
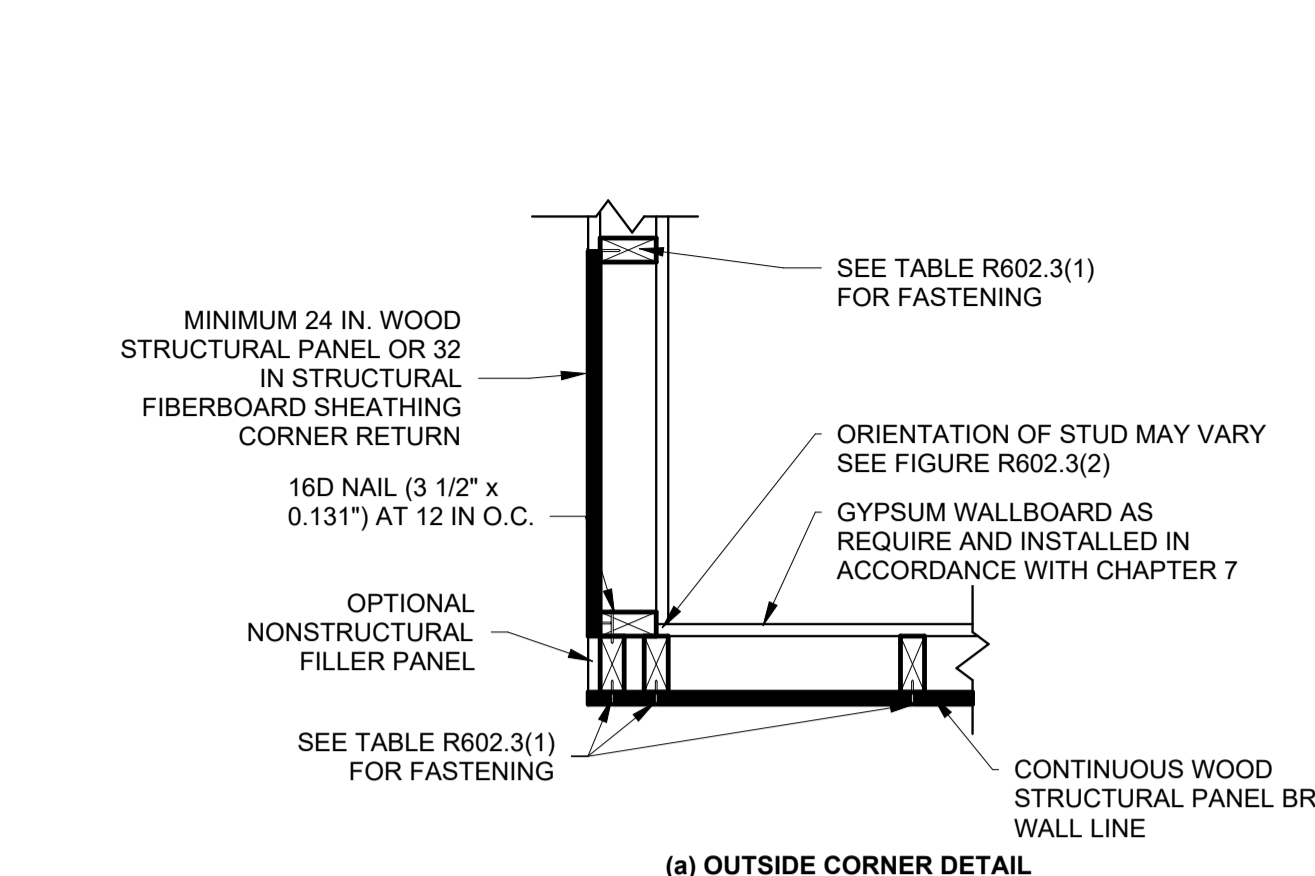
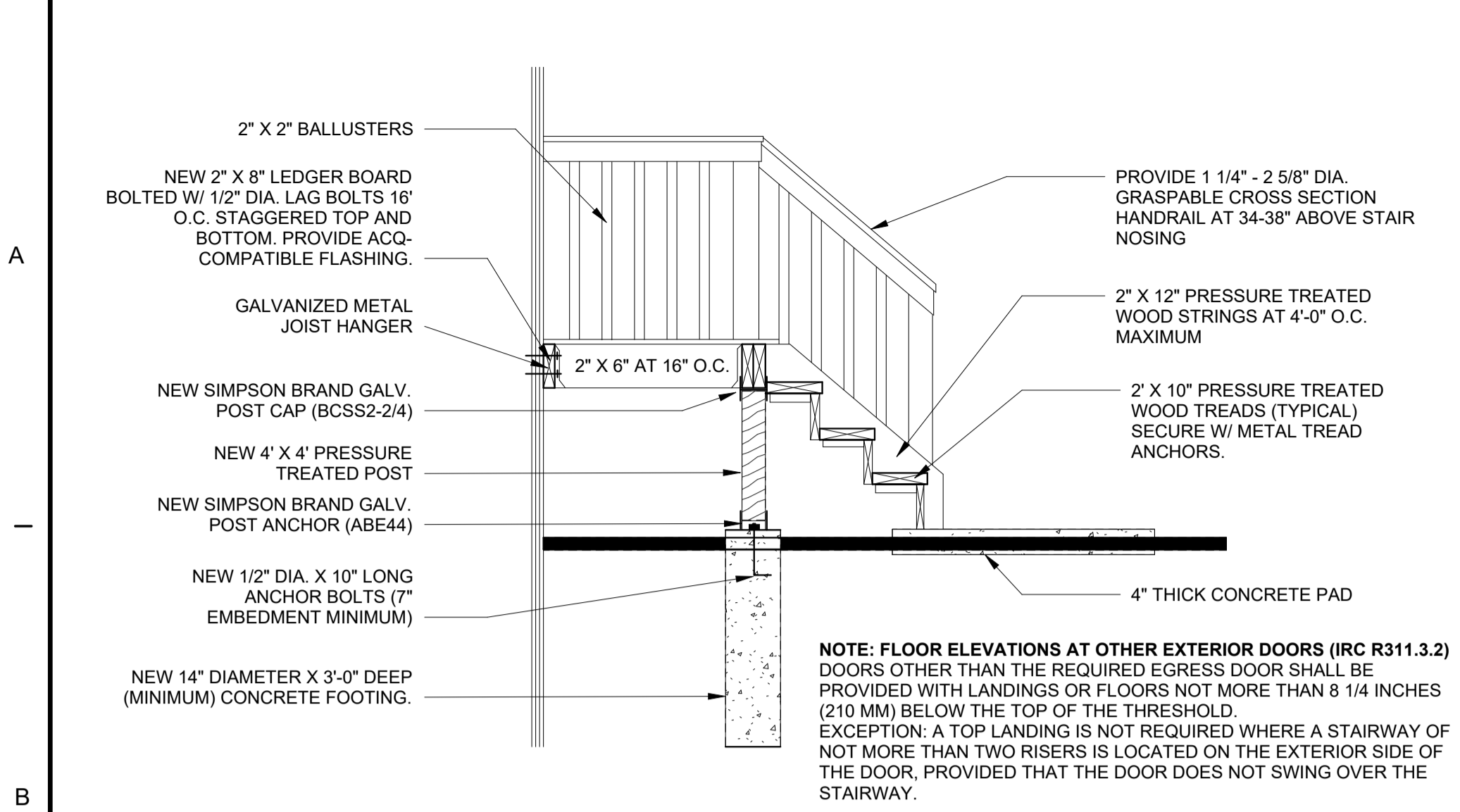
2 RAFTER PERPENDICULAR TO FRAMING DETAIL

1 ROOF PLAN
SCALE: 1/4" = 1'-0"

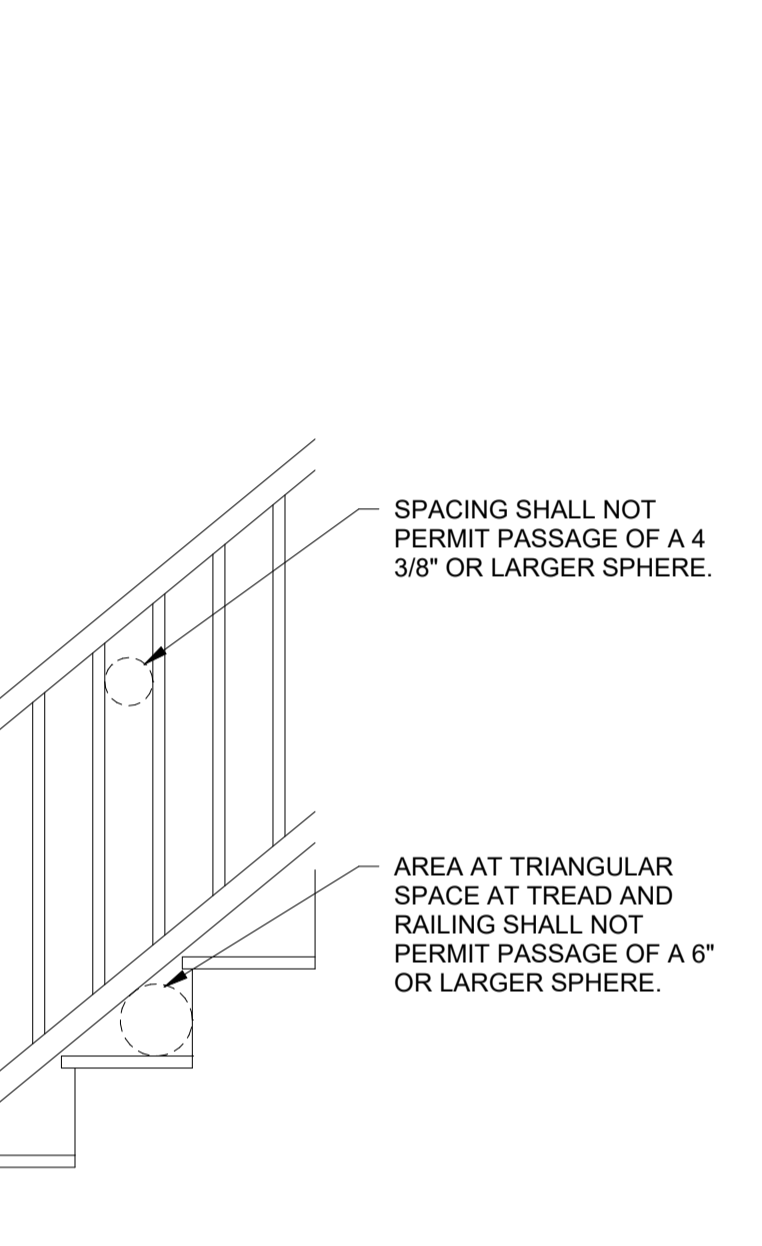
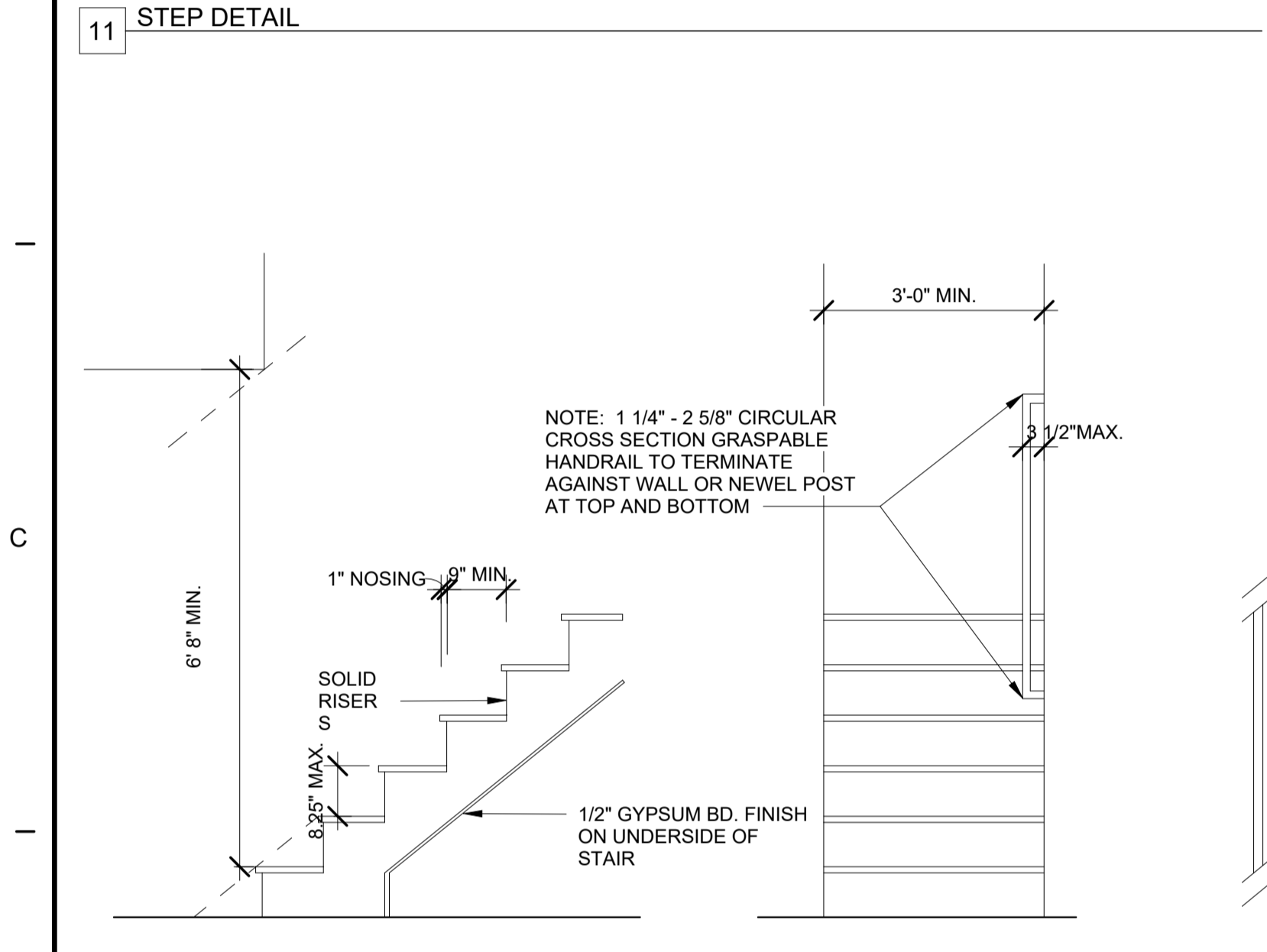


NOTE:
CONTINUOUS LVL C AROUND LOW SLOPE ROOF AREA, POST AT MIN. 6' O.C. TO PARTITIONS BELOW WITH DOUBLED JOISTS AT ALL POST LOCATIONS
LOW SLOPE ROOF NOTE:
PROVIDE RIPPED LUMBER OVERLAY TO CREATE 1/4" PER FOOT MINIMUM SLOPE FRONT BACK FROM MID POINT OF ROOF. INSTALL ROOFING PER CERTAINTEE SPECIFICATIONS FOR LOW SLOPE INSTALLATION WITH FLASHING AT COMPRESSION RING TRANSITION TO SHINGLE ROOF

DO NOT SCALE DRAWINGS. WRITTEN DIMENSIONS SHALL GOVERN. CONTACT ARCHITECT'S OFFICE IF DIMENSION INFORMATION IS MISSING.

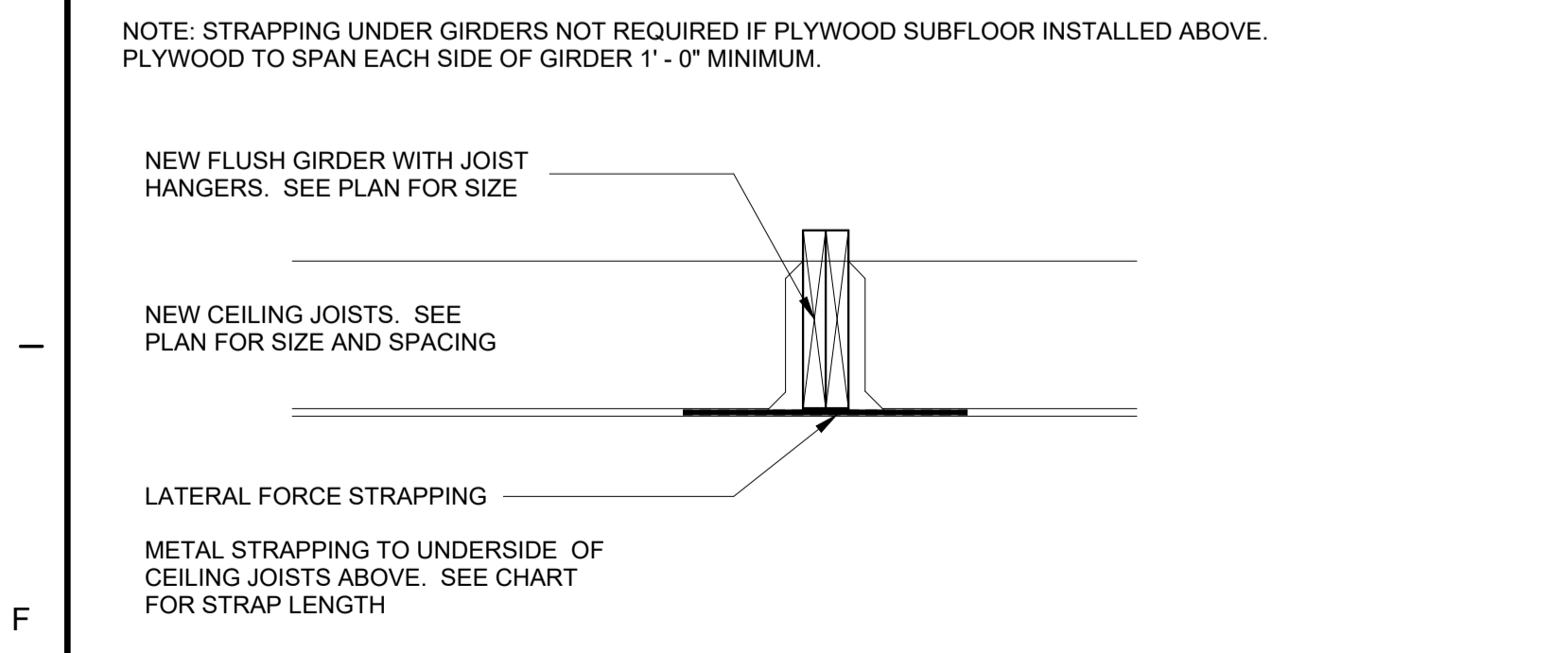


EXTERIOR CORNER FRAMING FOR CONTINUOUS SHEATHING
SCALE: 1" = 1'-0"



STRAPPING BY 'SIMPSON STRONG-TIE' NAILING AS PER MANUFACTURER'S SPECS.

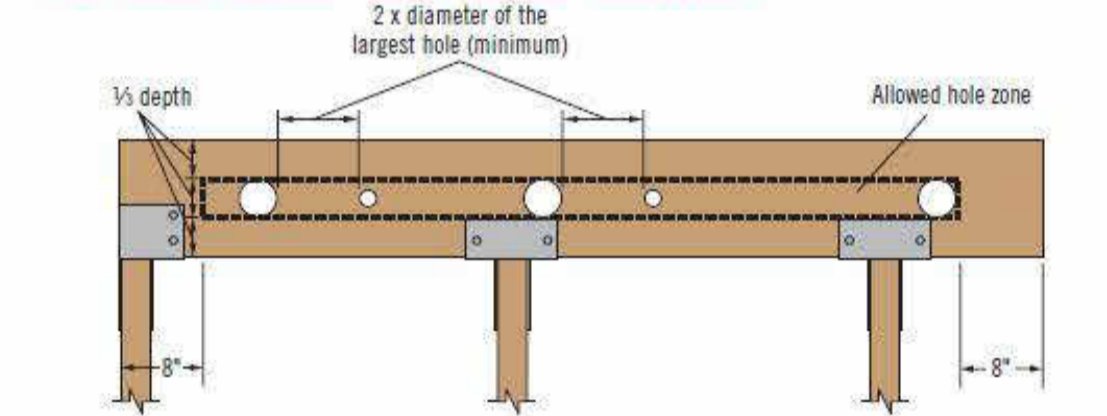
ROOF SLOPE / ROOF SPAN	7:12	8:12	9:12	10:12	11:12	12:12
< 30'	MSTA-30	MSTA-24	MSTA-21	MSTA-18	MSTA-15	MSTA-15
30' - 32'	MSTA-30	MSTA-24	MSTA-21	MSTA-18	MSTA-15	MSTA-15
32' - 34'	MSTA-30	MSTA-30	MSTA-24	MSTA-21	MSTA-18	MSTA-15
34' - 36'	MSTA-36	MSTA-30	MSTA-24	MSTA-21	MSTA-2	MSTA-18
36' - 38'	MSTA-36	MSTA-30	MSTA-30	MSTA-24	MSTA-21	MSTA-18



10 STRAPPING AT GIRDERS

ALLOWABLE HOLES

1.55E TimberStrand® LSL Headers and Beams



General Notes

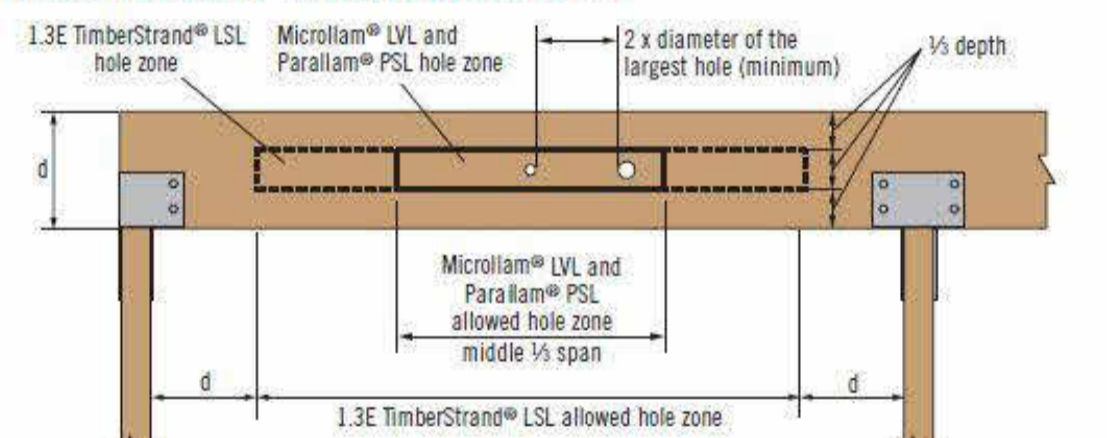
- Allowed hole zone suitable for headers and beams with uniform and/or concentrated loads anywhere along the member.
- Round holes only.
- No holes in headers or beams in plank orientation.

1.55E TimberStrand® LSL

Header or Beam Depth	Maximum Round Hole Size
8 1/2"	3"
11 1/2"	3 3/4"
14"-16"	4 1/4"

See illustration for allowed hole zone.

Other Trus Joist® Headers and Beams



General Notes

- Allowed hole zone suitable for headers and beams with uniform loads only.
- Round holes only.
- No holes in cantilevers.
- No holes in headers or beams in plank orientation.

Other Trus Joist® Beams

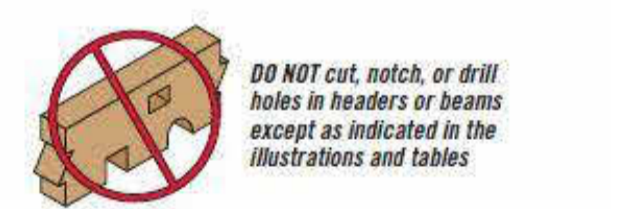
Header or Beam Depth	Maximum Round Hole Size
4 1/2"	1"
5 1/2"	1 1/4"
7 1/2"-8 1/2"	2"

See illustration for allowed hole zone.

WARNING: This product can expose you to chemicals including wood dust which are known to the State of California to cause cancer, and methanol, which are known to the State of California to cause birth defects or other reproductive harm. Drilling, sawing, sanding or machining wood products can expose you to wood dust. Avoid inhaling wood dust or use a dust mask or other safeguards for personal protection. For more information go to www.P65Warnings.ca.gov and www.P65Warnings.ca.gov/wood.

Safety data sheets for all Weyerhaeuser wood products can be found on our website at: weyerhaeuser.com/sustainability/environment/product-stewardship/safety-data-sheets.

Larger holes in Trus Joist® structural composite lumber may be possible; refer to ForteWEB® or Javelin® software.



BEARING LENGTH REQUIREMENTS

Reaction (lbs)	1.55E TimberStrand® LSL		1.55E TimberStrand® LSL		2.0E Microllam® LVL(1)		2.0E Parallam® PSL	
	Beam Orientation	Plank Orientation	Beam Orientation	Beam Orientation	Beam Orientation	Beam Orientation	Beam Orientation	Beam Orientation
	Width	Width	Width	Width	Width	Width	Width	Width
2,000	1 1/2"	1 1/2"	1 1/2"	1 1/2"	1 1/2"	1 1/2"	1 1/2"	1 1/2"
4,000	1 3/4"	1 3/4"	2 1/4"	1 3/4"	1 3/4"	1 3/4"	2"	1 3/4"
6,000	2 1/4"	1 3/4"	4"	2"	1 3/4"	4 1/4"	2 1/4"	2"
8,000	3 1/4"	2 1/4"	5 1/4"	2 1/4"	1 3/4"	6 1/4"	3 1/4"	2 1/4"
10,000	4 1/4"	2 1/4"	6 1/4"	3 1/4"	2 1/4"	7 1/4"	4 1/4"	3 1/4"
12,000	5"	3 1/4"	7 1/4"	4"	2 1/4"	8 1/4"	5 1/4"	3 1/4"
14,000	5 1/4"	4"	8 1/4"	4 1/4"	3"	9 1/4"	6 1/4"	4 1/4"
16,000	6 1/4"	4 1/4"	9 1/4"	5 1/4"	3 1/4"	10 1/4"	7 1/4"	5 1/4"
18,000	7 1/4"	5"	10 1/4"	6 1/4"	4"	11 1/4"	8 1/4"	6 1/4"
20,000		5 1/4"	11 1/4"	7 1/4"	4 1/4"	12 1/4"	9 1/4"	7 1/4"
22,000		6"	12 1/4"	8 1/4"	5"	13 1/4"	10 1/4"	8 1/4"
24,000		7 1/4"	13 1/4"	9 1/4"	5 1/4"	14 1/4"	11 1/4"	9 1/4"
26,000		7 3/4"	14 1/4"	10 1/4"	6"	15 1/4"	12 1/4"	10 1/4"
28,000			15 1/4"	11 1/4"	6 1/4"	16 1/4"	13 1/4"	11 1/4"
30,000			16 1/4"	12 1/4"	7 1/4"	17 1/4"	14 1/4"	12 1/4"

(1) Values for Microllam® LVL can also be used for 2.0E Parallam® PSL identified with plant number 0579.

General Notes

- Minimum bearing length: 1 1/2" at ends, 3 1/2" at intermediate supports.
- Bearing across full beam width is required.
- Interpolation between reaction loads is permitted for determining bearing lengths.
- Bearing lengths based on the following bearing stresses:
 - 1.55E TimberStrand® LSL: 710 psi; 670 psi for plank orientation.
 - 2.0E Microllam® LVL: 750 psi.
 - 2.0E Parallam® PSL: 625 psi.

RELEASE:

EXISTING CONDITIONS	
SCHEMATIC DESIGN	
DESIGN DEVELOPMENT	
PROGRESS PRINT	
X FULL RELEASE	11.07.25

ISSUED TO:

NO.	DESCRIPTION	DATE

PROJECT: **NEW CONSTRUCTION**

5 Guerin Ln, Randolph, NJ 07869

DRAWING TITLE: **FRAMING AND STAIR DETAILS**

SHEET: **A-600**

